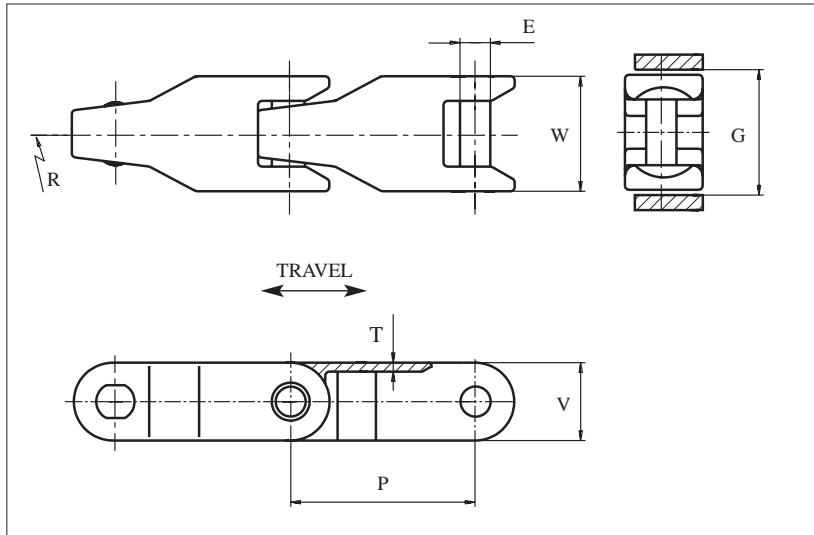




The uni 2600-C chain is flexible in several directions.  
 The uni 2600 chains are usually used for conveying crates and other large items.  
 The uni 2600 chains are constructed, so that all types can run in both directions.  
 The uni 2600 chains are often supplied in special materials GR and AR, see page 15, for use in environments with extreme wear or corrosion.



	mm	in.		mm	in.
<b>E</b>	11.0	0.43	<b>T</b>	3.5	0.14
<b>G</b>	44.5	1.75	<b>V</b>	28.4	1.12
<b>P</b>	63.5	2.50	-	-	-

All dimensions are for POM-chains.

Items with **bolded** uni reference numbers are standard.  
 Items with uni reference numbers in *italic* are available on a made-to-order basis.

	uni reference no.		width W		weight		min. radius R	
	POM-D	POM-D	mm	in.	kg/m	lb/ft	mm	in.
uni 2600-C	<b>36D2600CW</b>	<b>36D2600CG</b>	42.0	1.65	1.4	0.94	600	23.62

## uni 2600-C uni Flex Chains • Plastic



Side flexing



63.5 mm (2.50 in.)



See page 14



**SS304** See page 13



75 mm (3.0 in.)



See page 113



See curve catalog



See curve catalog



See page 101



6.1 m = 20 ft  
No. of links/box: 96



6000 N (1349 lbf)